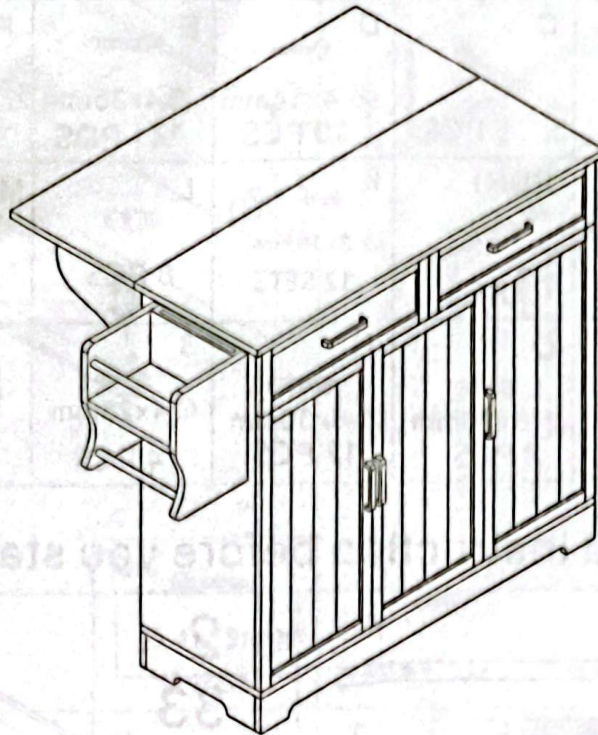
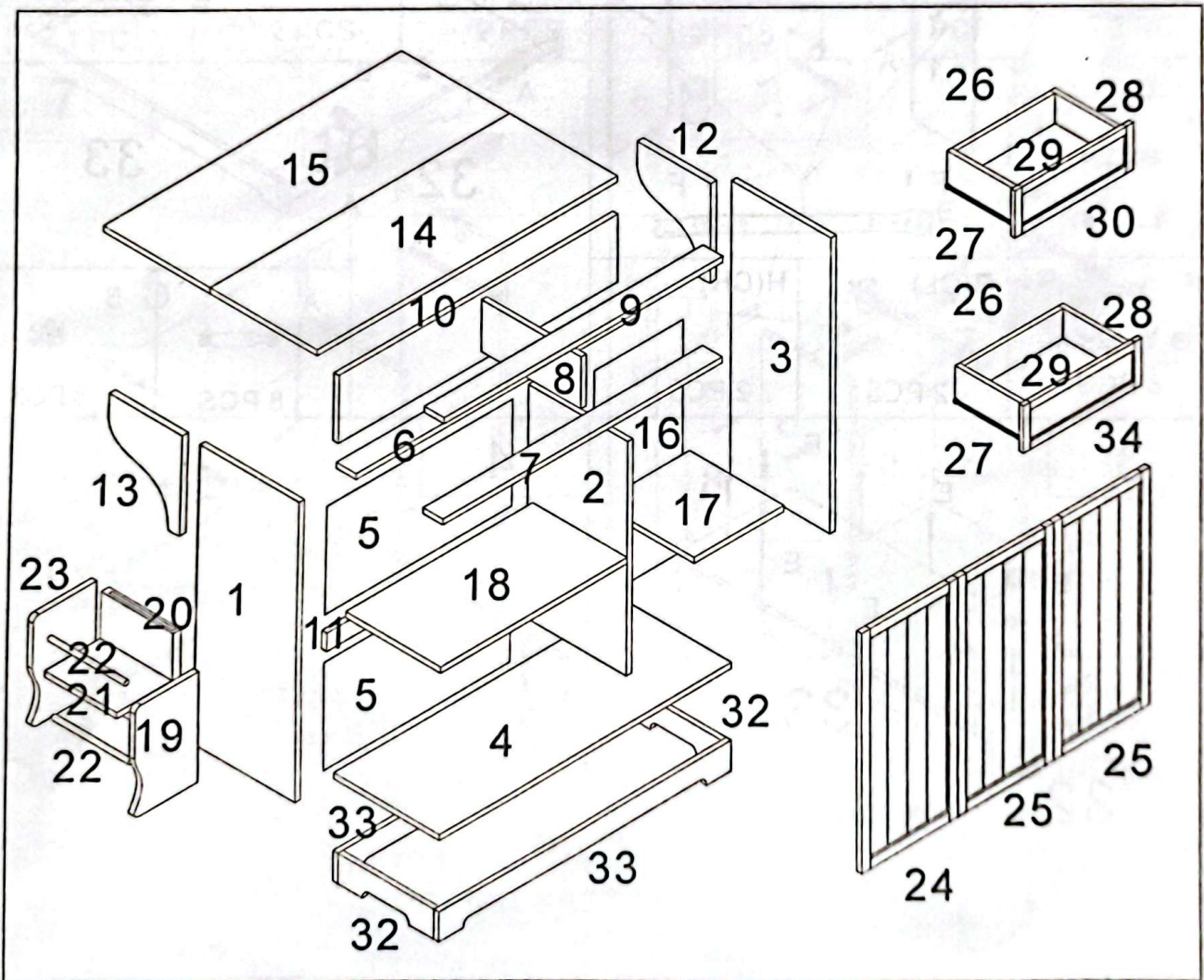
















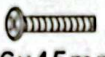




ASSEMBLY INSTRUCTION



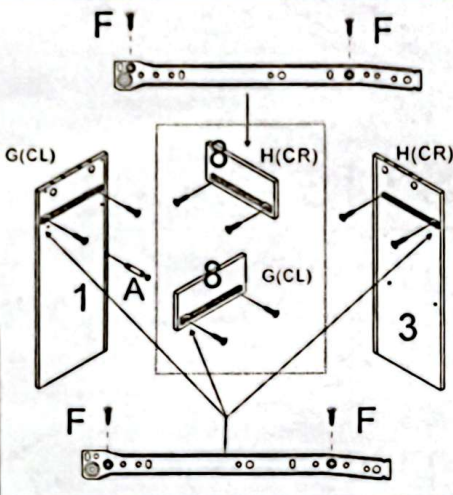
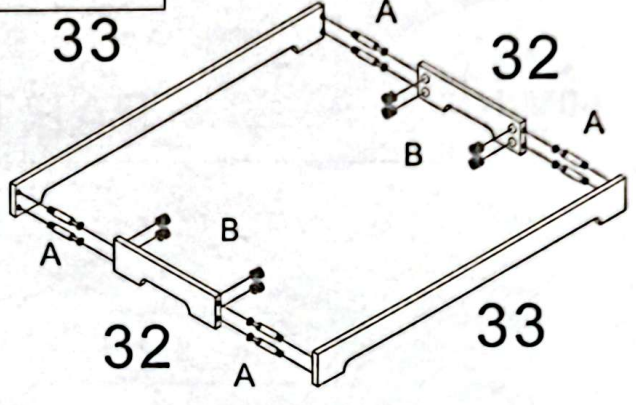


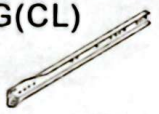
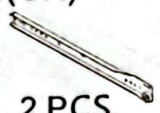
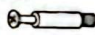

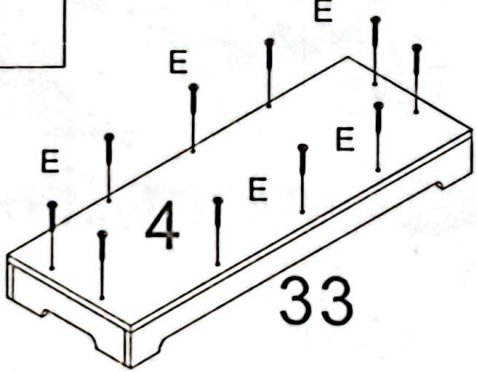
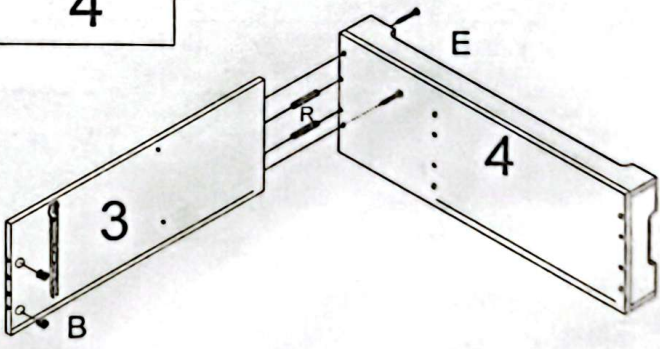




PARTS LIST

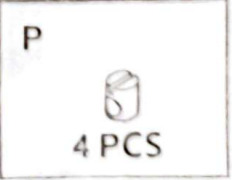
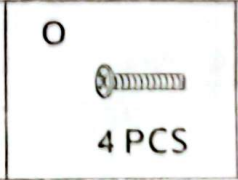
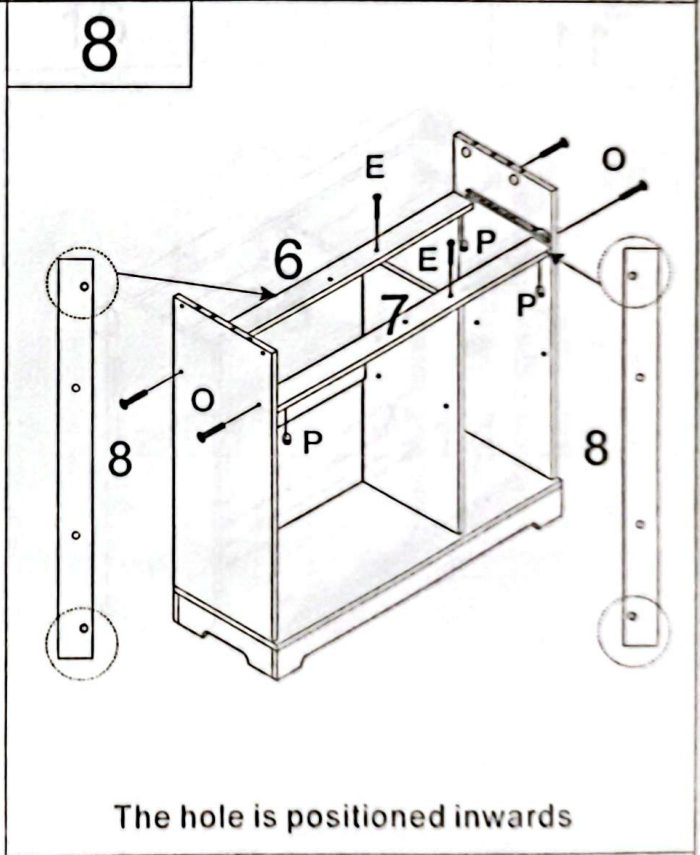
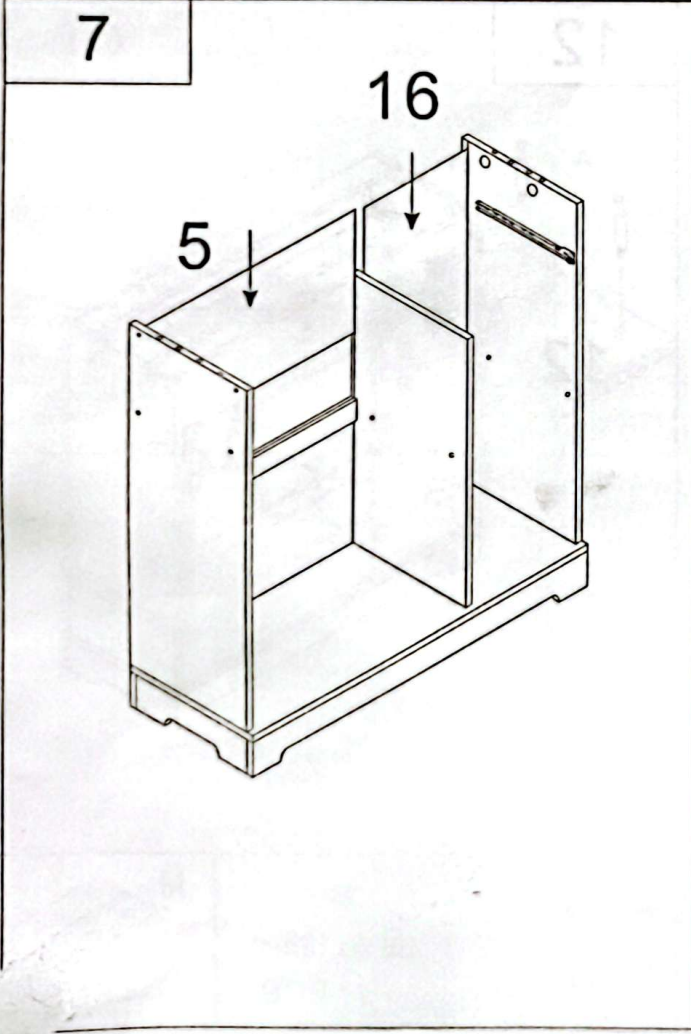
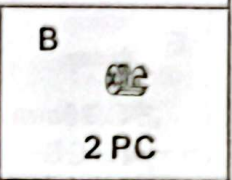
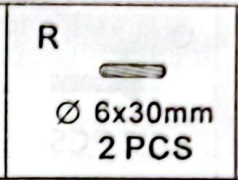
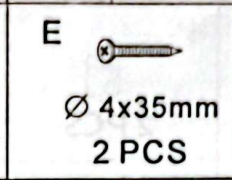
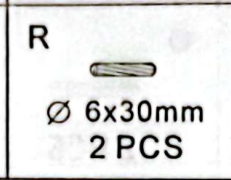
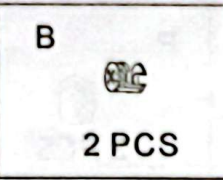
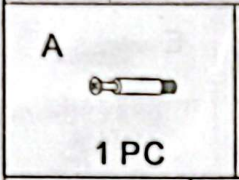
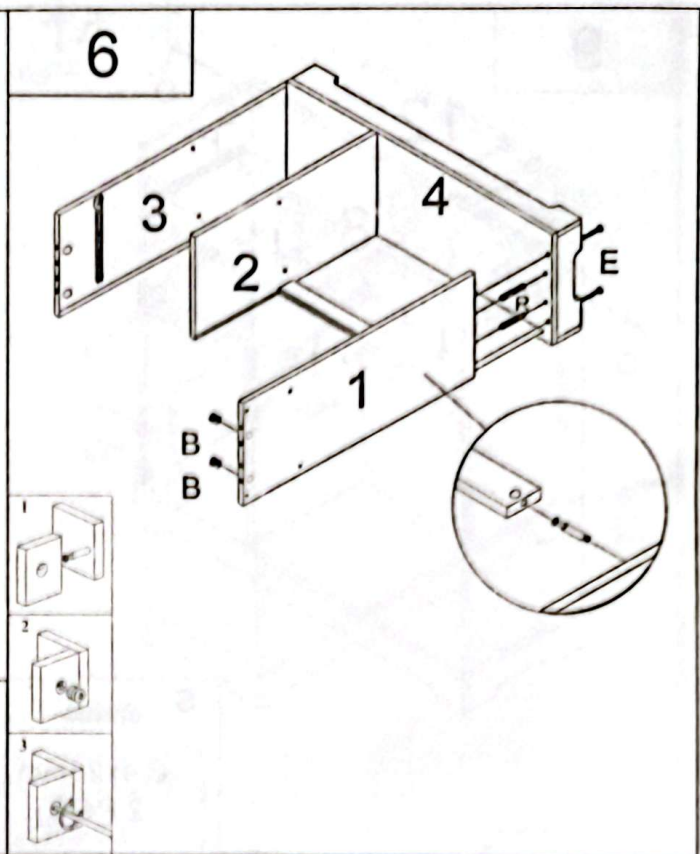
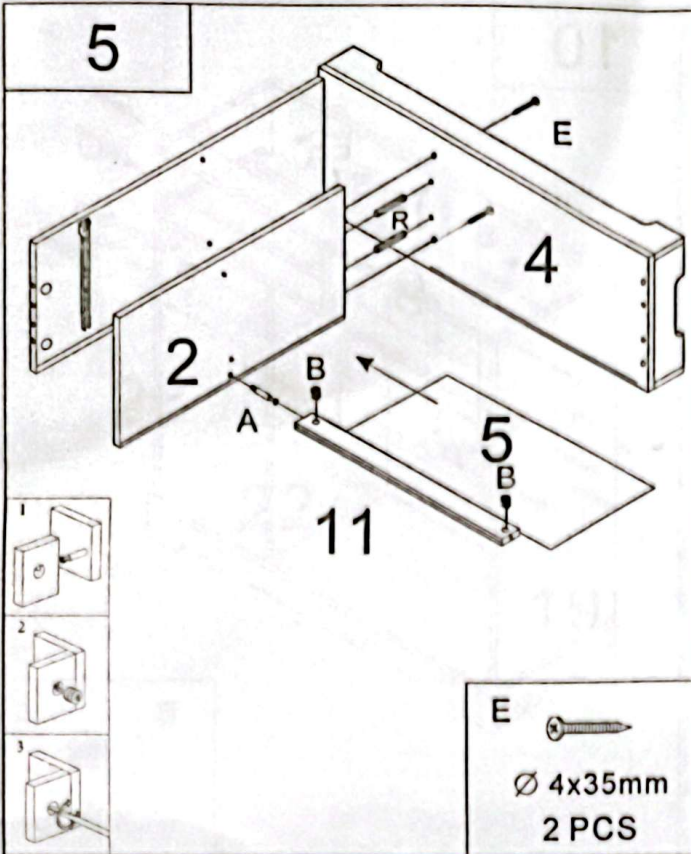


HARDWARE LIST

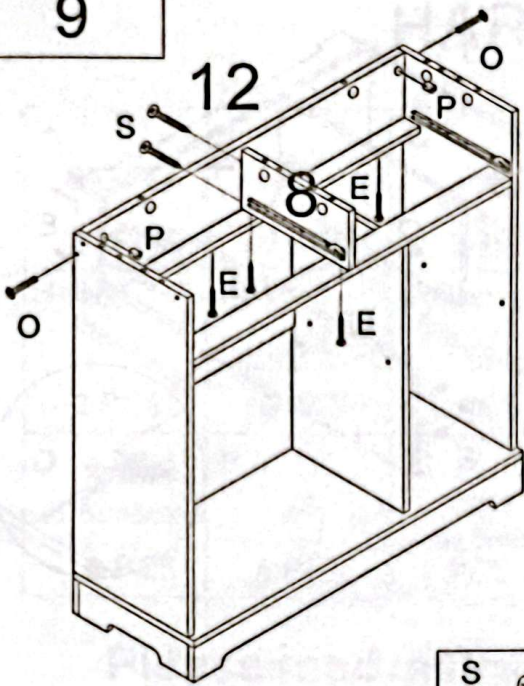
A  26 PCS	B  26 PCS	C  5 PCS	D  Ø 4x14mm 10 PCS	E  Ø 4x35mm 41 PCS	F  Ø 3x12mm 88 PCS	G(CL)  2 PCS
H(CR)  2 PCS	I(DL)  2 PCS	J(DR)  2 PCS	K  Ø 3x16mm 12 SETS	L  8 PCS	M  6 PCS	N  6 PCS
O  Ø 6x45mm 8 PCS	P  8 PCS	Q  Ø 6x20mm 2 PCS	R  Ø 6x30mm 12 PCS	S  Ø 4x25mm 4 PCS		


Please read instruction before you start assembling

1		2			
 1 PCS	 Ø 3x12mm 8 PCS	 2 PCS	 2 PCS	 8 PCS	 8 PCS
3		4			
 Ø 4x35mm 10 PCS	 2 PCS	 Ø 4x35mm 2 PCS	 Ø 6x30mm 2 PCS		

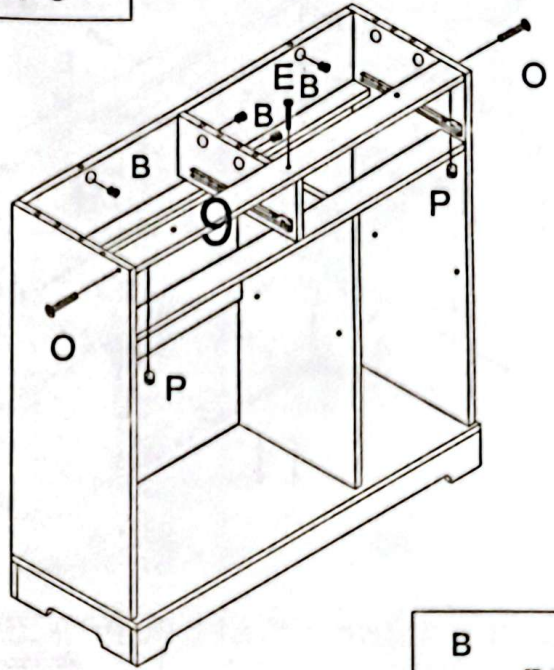



9




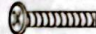
S 
 Ø4x25mm
 2 PCS


10





B 
 4 PCS


E 
 Ø4x35mm
 4 PCS

O 
 2 PCS

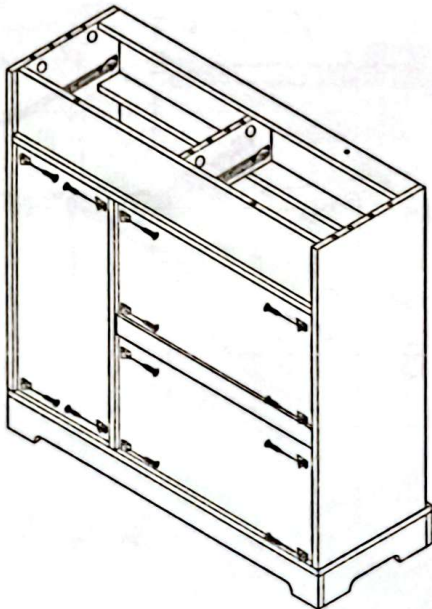
P 
 2 PCS



O 
 2 PCS

P 
 2 PCS

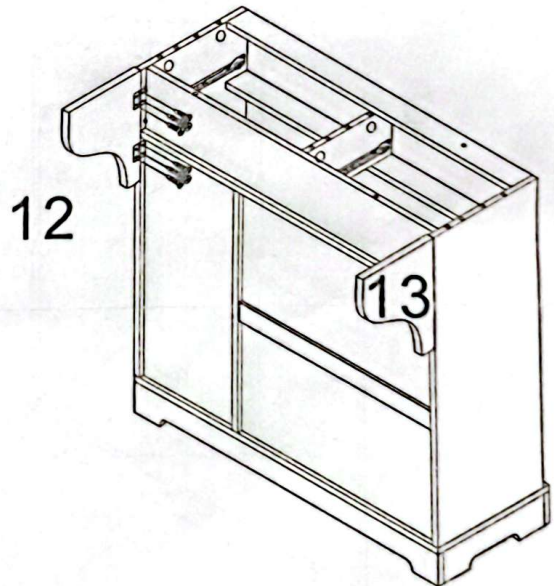
E 
 Ø4x35mm
 1 PC


11

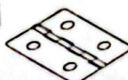


K  
 Ø 3x16mm
 12 SETS

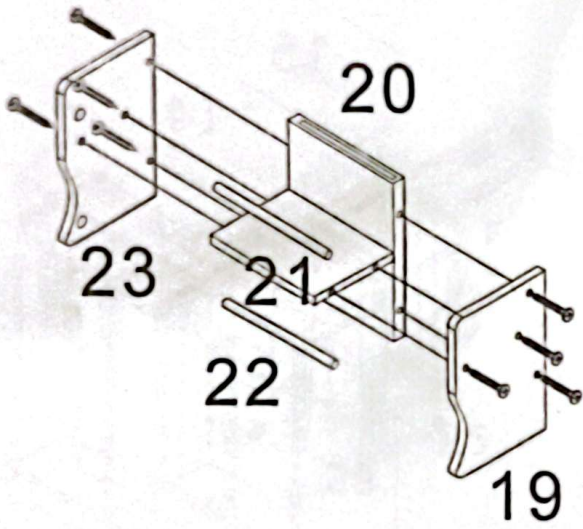
12




F 
 Ø 3x12mm
 24 PCS

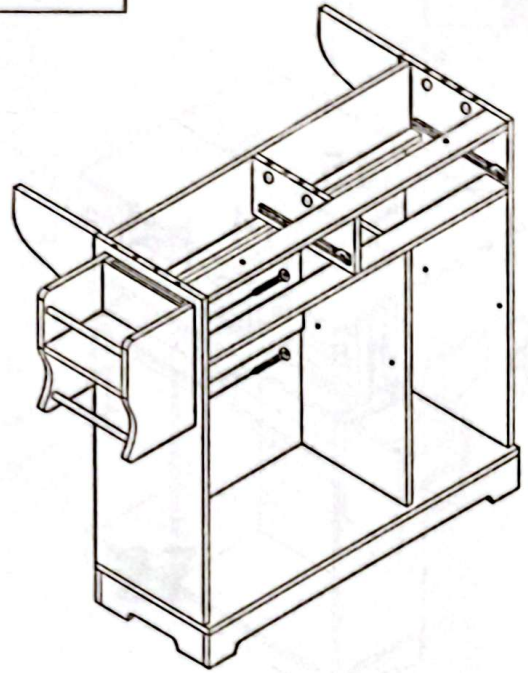
M 
 4 PCS


13



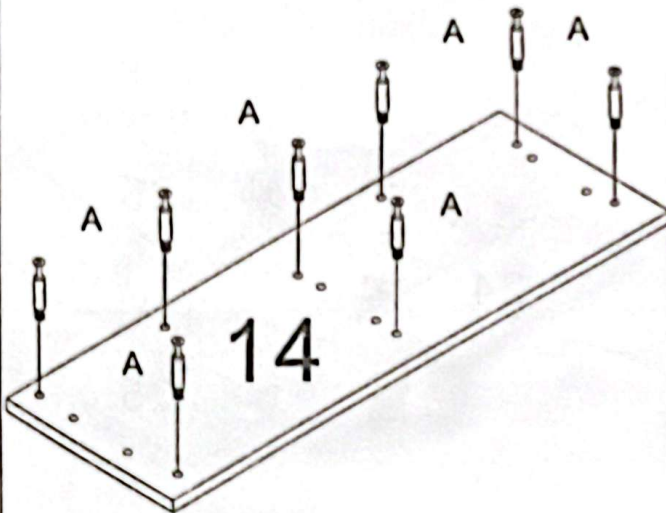
E 
 Ø4x35mm
 8 PCS


14



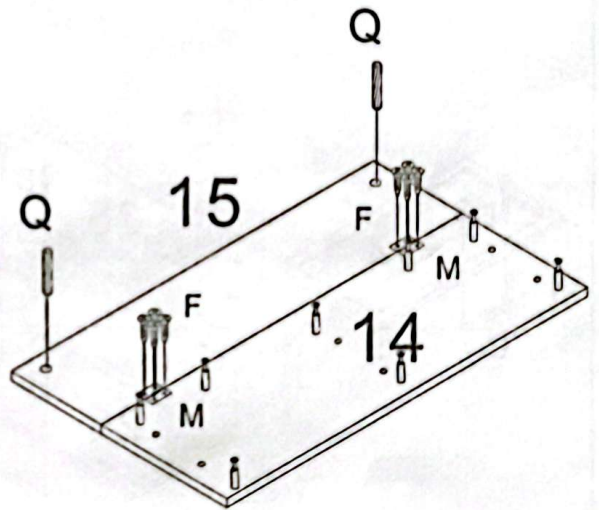
E 
 Ø4x35mm
 4 PCS


15





A 
 8 PCS

16

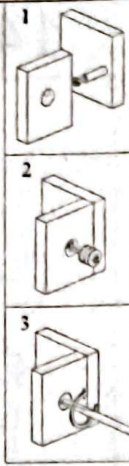
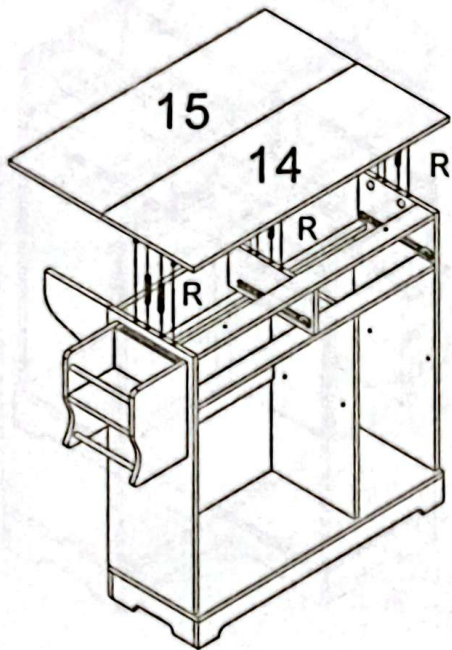


F 
 Ø 3x12mm
 12 PCS

M 
 2 PCS

Q 
 Ø 6x20mm
 2 PCS

17

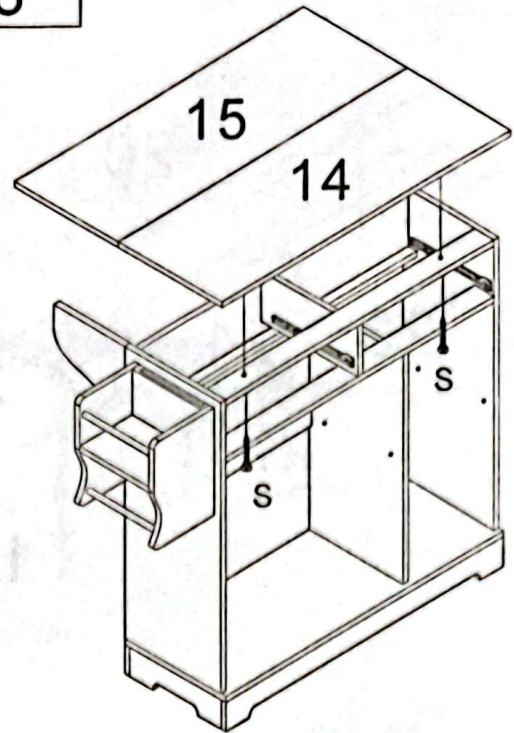


R



6 PCS

18

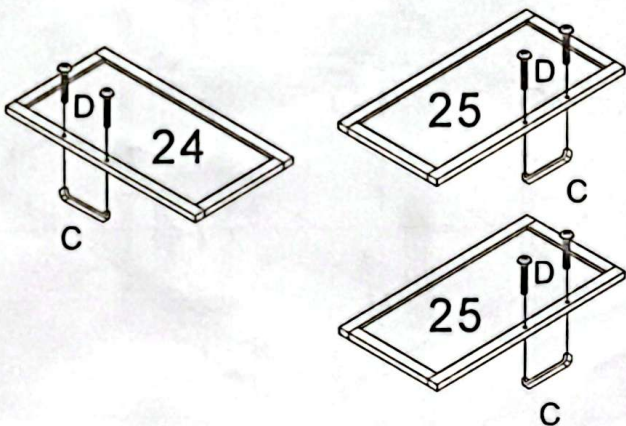


S



Ø4x25mm
2 PCS

19



C



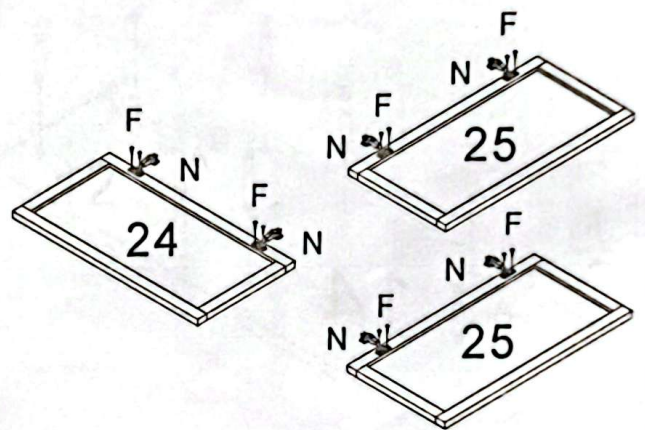
3 PCS

D



Ø 4x14mm
6 PCS

20



F



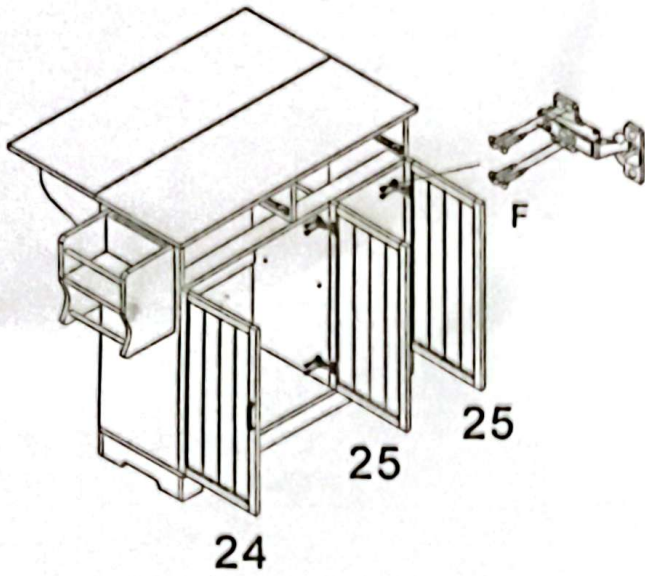
Ø 3x12mm
12 PCS


N



6 PCS

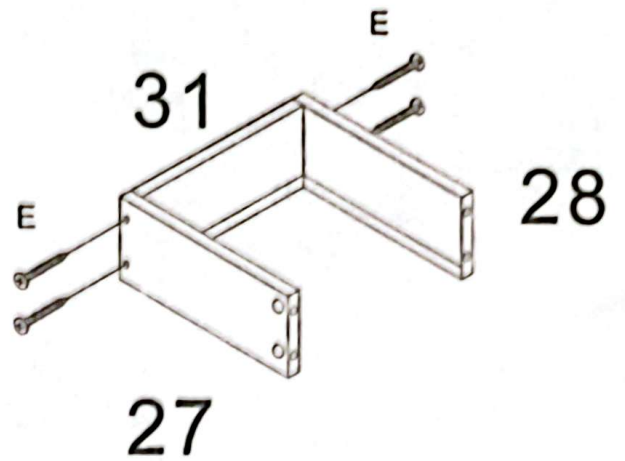
21




F 
 Ø 3x12mm
 24 PCS

22

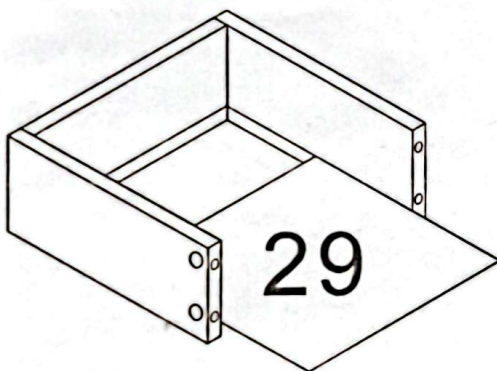
X2



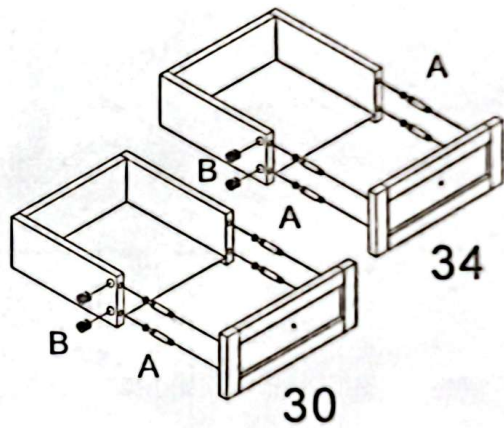
E 
 Ø 4x35mm
 8 PCS


23

X2



24

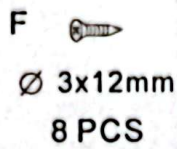
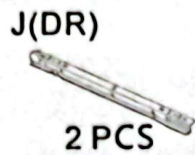
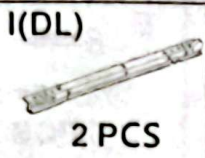
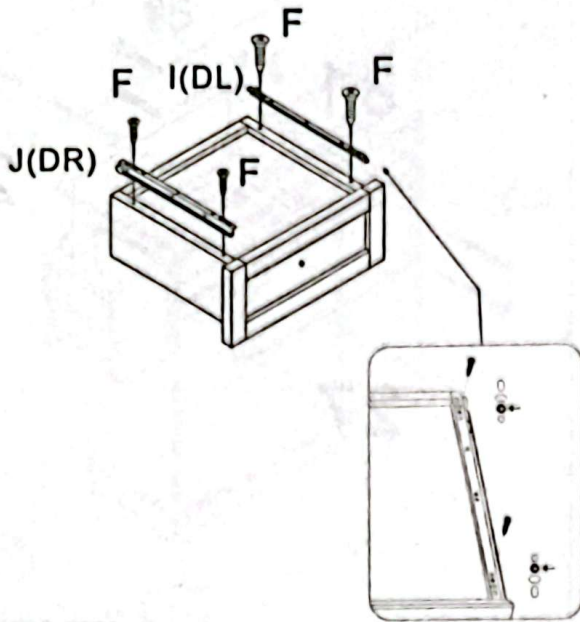


A 
 8 PCS

B 
 8 PCS

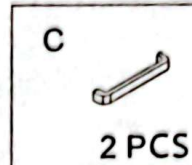
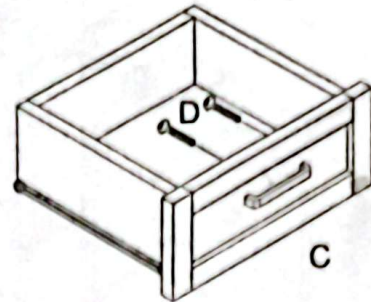
25

X2

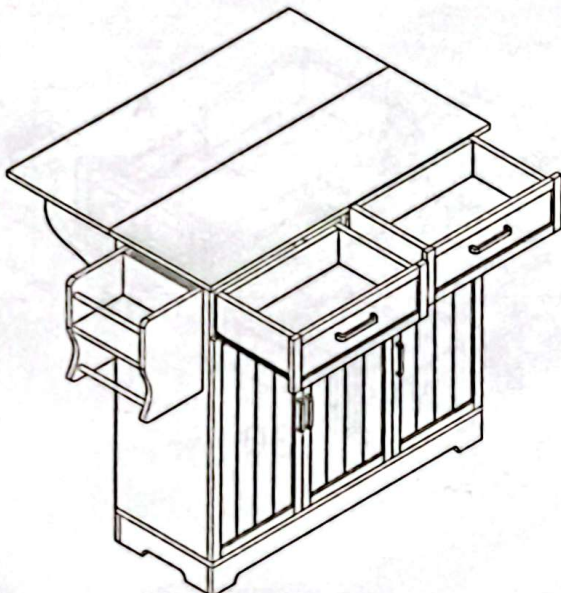


26

X2



27



28

